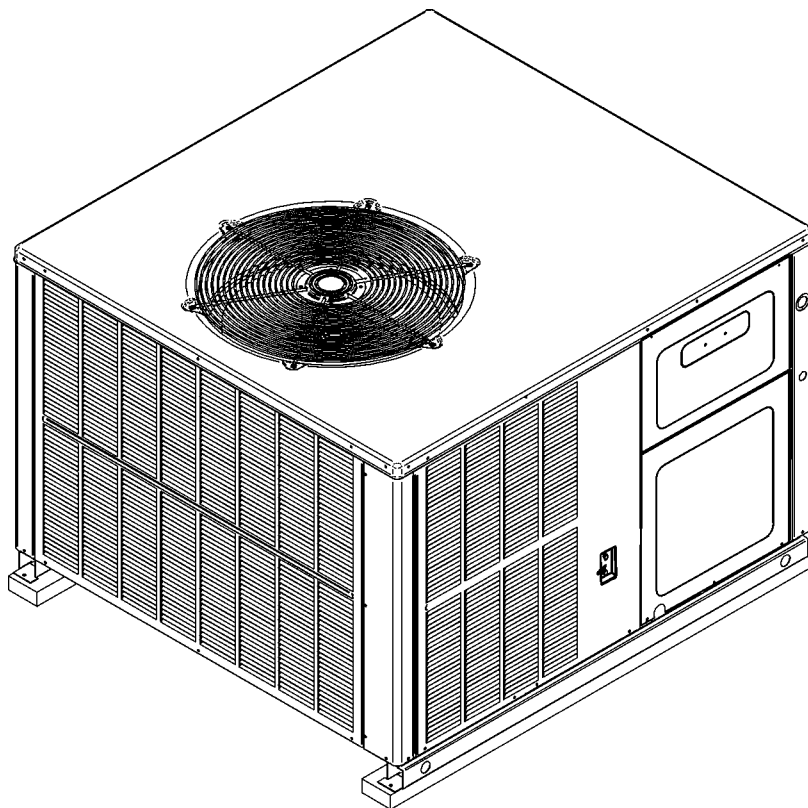


REPAIR PARTS

APH15 / GPH15 Package Heat Pumps

APH1524M41AB
APH1530M41AB
APH1536M41AB
APH1543M41AB
APH1549M41AB
APH1560M41AB
GPH1524M41AB
GPH1530M41AB
GPH1536M41AB
GPH1543M41AB
GPH1549M41AB
GPH1560M41AB



This manual is to be used by qualified technicians only.

© 2010 Goodman Manufacturing Company, L.P. ♦ 5151 San Felipe, Suite 500 ♦ Houston, TX 77056

Important Information

Index

Functional Parts List	3
Illustration and Parts	4 - 11

Views shown are for parts illustrations only, not servicing procedures.

Text Codes:

AR - As Required

NA - Not Available

NS - Not Shown

00000000 - See Note

QTY - Quantity Example (QTY 3) (If Quantity not shown, Quantity = 1)

M - Model Example (M1) (If M Code not shown, then part is used on all Models)

Expanded Model Nomenclature:

Example M1 - Model#1 M2 - Model#2 M3 - Model#3

Goodman Manufacturing Company, L.P. is not responsible for personal injury or property damage resulting from improper service. Review all service information before beginning repairs.

Warranty service must be performed by an authorized technician, using authorized factory parts. If service is required after the warranty expires, Goodman Manufacturing Company, L.P. also recommends contacting an authorized technician and using authorized factory parts.

Goodman Manufacturing Company, L.P. reserves the right to discontinue, or change at any time, specifications or designs without notice or without incurring obligations.

For assistance within the U.S.A. contact:
Consumer Affairs Department
Goodman Manufacturing Company, L.P.
7401 Security Way
Houston, Texas 77040
877-254-4729-Telephone
713-863-2382-Facsimile

For assistance outside the U.S.A. contact:
International Division
Goodman Manufacturing Company, L.P.
7401 Security Way
Houston, Texas 77040
713-861-2500-Telephone
713-863-2382-Facsimile

Functional Parts

Part

No: Description:

0130M00025S	24V RELAY (M5, M6, M11, M12)	0130M00009P	DEFROST THERMOSTAT OPEN 60°, CLOSE 34°
0231K00067	BLOWER MOTOR 1 HP PROGRAMMED ECM (M6)	PCBEM102S	ECM PRIMARY BOARD (M1, M2, M3, M4, M5, M6)
0131M00202	BLOWER MOTOR 1 HP PROGRAMMED SELECTECH (M12)	0150G00002S	FAN BLADE SWEPT-WING (M1, M2, M3, M4, M5, M7, M8, M9, M10, M11)
0231K00065	BLOWER MOTOR 1/2 HP PROGRAMMED ECM (M2, M3)	0150M00011S	FAN BLADE SWEPT-WING (M6, M12)
0231K00070	BLOWER MOTOR 1/2 HP PROGRAMMED ECM (M1)	0130M00074	HIGH PRESSURE SWITCH
0131M00200	BLOWER MOTOR 1/2 HP PROGRAMMED SELECTECH (M9)	0130M00075	LOW PRESSURE SWITCH
0131M00204	BLOWER MOTOR 1/2 HP PROGRAMMED SELECTECH (M8)	0151M00019S	REVERSING VALVE (M1, M2, M7, M8)
0131M00201	BLOWER MOTOR 1/2 HP PROGRAMMED SELECTECH (M7)	0151M00021S	REVERSING VALVE (M3, M4, M5, M6, M9, M10, M11, M12)
0231K00066	BLOWER MOTOR 3/4 HP PROGRAMMED ECM (M4, M5)	B1141643	TRANSFORMER 208/230, 24V
0131M00216	BLOWER MOTOR 3/4 HP PROGRAMMED SELECTECH (M10)	0151M00016	TXV VALVE [COND] (M5, M6, M11, M12)
0131M00212	BLOWER MOTOR 3/4 HP PROGRAMMED SELECTECH (M11)	0151M00017	TXV VALVE [COND] (M3, M4, M9, M10)
D6723303S	BLOWER WHEEL	0151G00001	TXV VALVE [COND] (M1, M2, M7, M8)
CAP050400440RTS	CAPACITOR 5/40/440V (M1, M2, M7, M8)	0151M00016	TXV VALVE [EVAP] (M5, M6, M11, M12)
CAP050450440RTS	CAPACITOR 5/45/440V (M3, M4, M5, M9, M10, M11)	0151M00017	TXV VALVE [EVAP] (M3, M4, M9, M10)
CAP050800440RTS	CAPACITOR 5/80/440V (M6, M12)	0151G00001	TXV VALVE [EVAP] (M1, M2, M7, M8)
ZP21K5EPFV830	COMPRESSOR 21300,208/230/60/1 (M1, M7)		
ZP25K5EPFV830	COMPRESSOR 25200, 208/230/60/1 (M2, M8)		
ZP31K5EPFV830	COMPRESSOR 31100, 208/230/60/1 (M3, M9)		
ZP34K5EPFV830	COMPRESSOR 34500, 208/230/60/1 (M4, M10)		
ZPS40K4EPFV930	COMPRESSOR 40000, 208/230/60/1/2STG (M5, M11)		
ZPS51K4EPFV930	COMPRESSOR 52000, 208/230/60/1/2STG (M6, M12)		
0131M00008PS	COND MOTOR 1/3 HP, 1 SP, 6 PL (M6, M12)		
0131M00007PS	COND MOTOR 1/4 HP, 1 SP, 6 PL (M4, M5, M10, M11)		
0131M00014PS	COND MOTOR 1/4 HP, 1 SP, 8 PL (M1, M2, M3, M7, M8, M9)		
CONT2P025024VS	CONTACTOR 25 AMP, 2P, 24V (M1, M2, M3, M7, M8, M9)		
CONT2P030024VS	CONTACTOR 30 AMP, 2P, 24V (M4, M10)		
CONT2P040024VS	CONTACTOR 40 AMP, 2P, 24V (M5, M6, M11, M12)		
0230G00006	CRANKCASE HEATER (M6, M12)		
0163R00003S	CRANKCASE HEATER 230V 40W (M4, M5, M10, M11)		
0163R00002S	CRANKCASE HEATER 230V, 40W (M3, M9)		
0230G00005	CRANKCASE HEATER SWITCH (M3, M4, M5, M6, M9, M10, M11, M12)		
PCBDM133	DEFROST CONTROL BOARD		

SPECIAL PARTS

B10259253	AMANA LABEL (M1, M2, M3, M4, M5, M6)
B10259251	GOODMAN LABEL (M7, M8, M9, M10, M11, M12)
IO-394	INSTALLATION INSTRUCTIONS
B1757910	SUPPLEMENTAL INSERT (EBTDR)

Expanded Model Nomenclature

M1 - APH1524M41AB
M2 - APH1530M41AB
M3 - APH1536M41AB
M4 - APH1543M41AB
M5 - APH1549M41AB
M6 - APH1560M41AB
M7 - GPH1524M41AB
M8 - GPH1530M41AB
M9 - GPH1536M41AB
M10 - GPH1543M41AB
M11 - GPH1549M41AB
M12 - GPH1560M41AB

Cabinet Assembly

Image 1

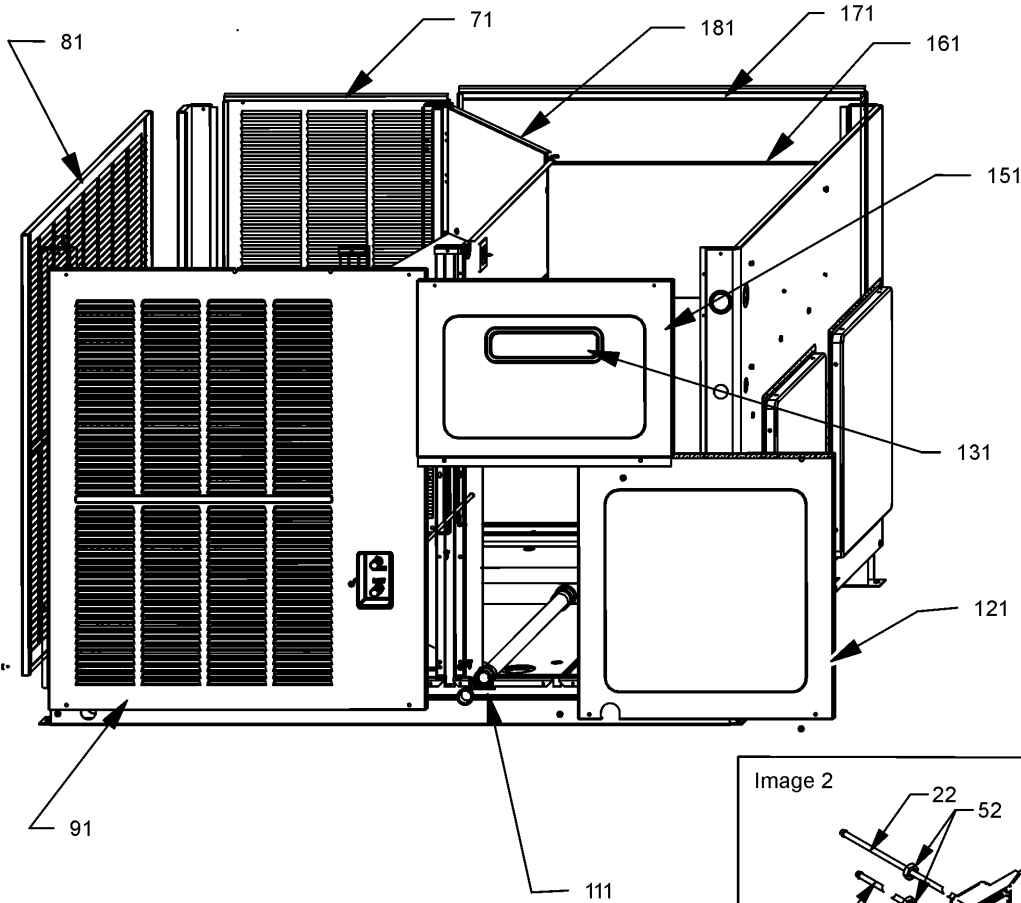
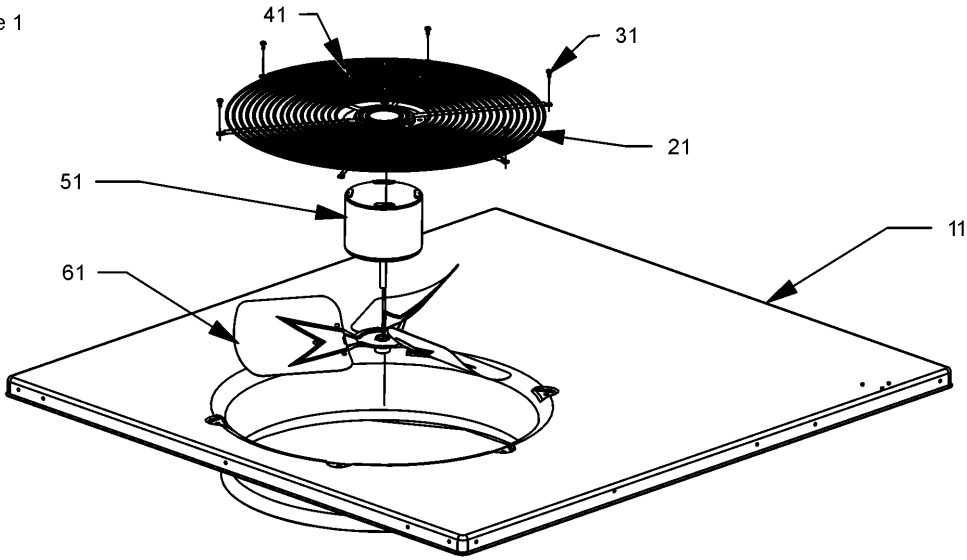
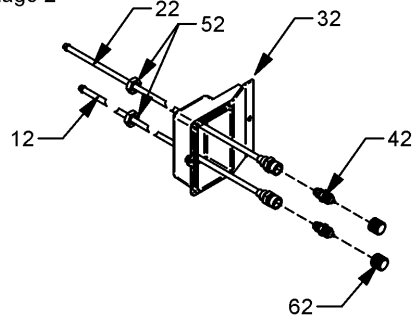


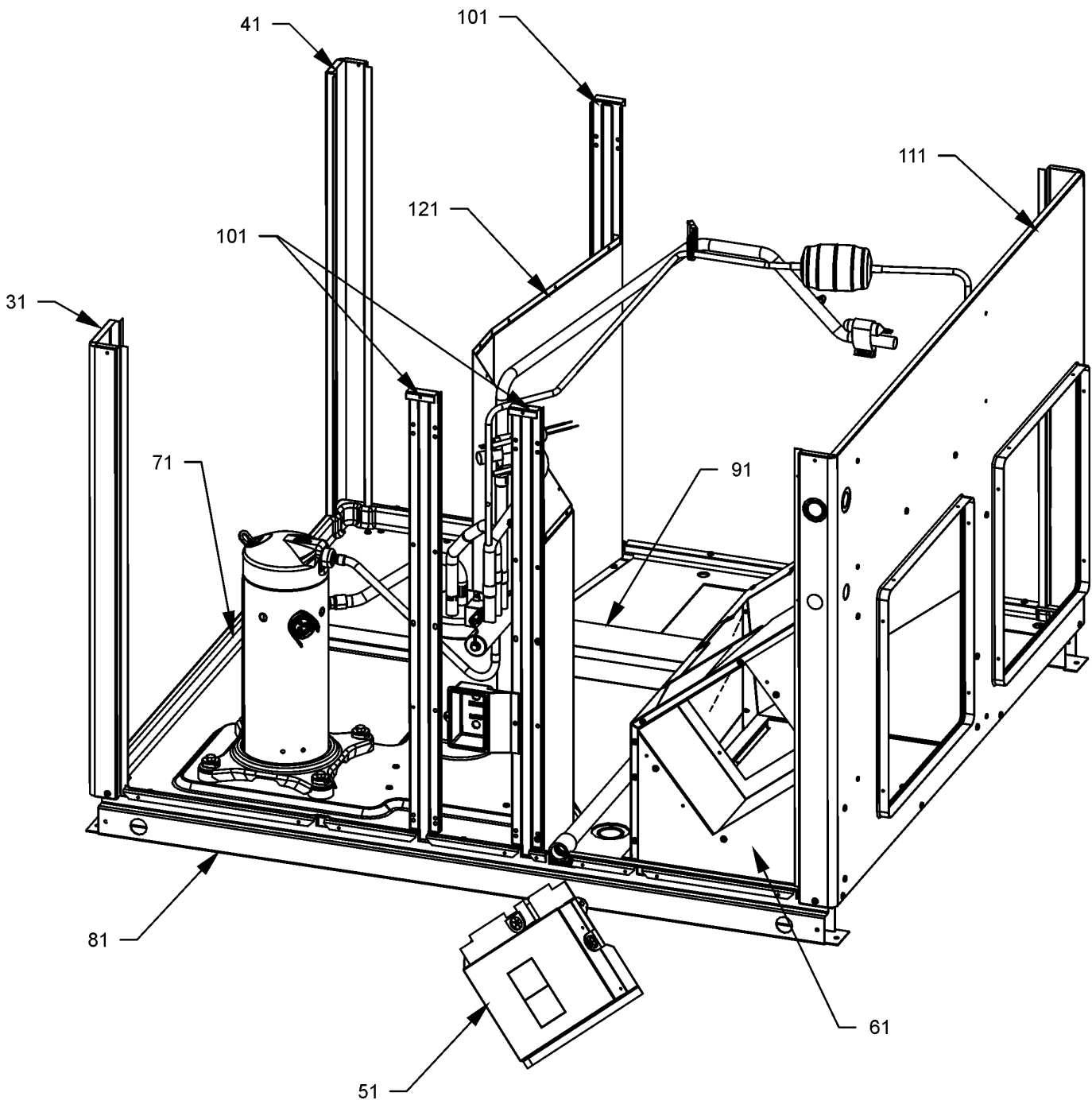
Image 2



Cabinet Assembly

Ref. Part No:	Ref. Part No:	Description:	Description:													
<i>Image 1:</i>		<i>Image 1:</i>														
11	20466001PDGS	TOP PANEL	NS 0121G00235 FAN BAFFLE													
21	0152G00000S	RAISED FAN GRILLE	NS 17788000083F PVC CONDUIT 8.25"													
31	B1393530	SCREW HWH,10 X 1/2, A, YZD, SLOT, SR (M4, M5, M6, M10, M11, M12)	<i>Image 2:</i>													
31	M0221817	SMALL SCREW (M1, M2, M3, M7, M8, M9)	12 0210G00031P PROCESS TUBE ASSY-SUCTION													
41	0163M00006P	ACORN NUT 5/16 HEX BLACK (M1, M2, M3, M7, M8, M9)	22 0210G00030P PROCESS TUBE ASSY-LIQUID (M3, M9)													
41	B1783803	ACORN NUT 5/16 HEX YELLOW ZINC (M4, M5, M6, M10, M11, M12)	22 0210G00134 PROCESS TUBE ASSY-LIQUID (M1, M2, M7, M8)													
51	0131M00008PS	COND MOTOR 1/3 HP, 1 SP, 6 PL (M6, M12)	22 0210G00031P PROCESS TUBE ASSY-SUCTION (M4, M5, M6, M10, M11, M12)													
51	0131M00007PS	COND MOTOR 1/4 HP, 1 SP, 6 PL (M4, M5, M10, M11)	32 0161G00001P ACCESS FITTING BOX													
51	0131M00014PS	COND MOTOR 1/4 HP, 1 SP, 8 PL (M1, M2, M3, M7, M8, M9)	42 B1373315 ACCESS FITTING (QTY 2)													
61	0150G00002S	FAN BLADE SWEEP-WING (M1, M2, M3, M4, M5, M7, M8, M9, M10, M11)	52 0163G00000P FASTEST FITTING NUT (QTY 2)													
61	0150M00011S	FAN BLADE SWEEP-WING (M6, M12)	62 B9102097 CAP W/O-RING (QTY 2)													
71	20467701PDGS	LOUVERED PANEL, COND SIDE 32" (M7, M8, M9)	Expanded Model Nomenclature													
71	20467701PLG	LOUVERED PANEL, COND SIDE 32" (M1, M2, M3)	<table border="1"> <tr><td>M1 - APH1524M41AB</td></tr> <tr><td>M2 - APH1530M41AB</td></tr> <tr><td>M3 - APH1536M41AB</td></tr> <tr><td>M4 - APH1543M41AB</td></tr> <tr><td>M5 - APH1549M41AB</td></tr> <tr><td>M6 - APH1560M41AB</td></tr> <tr><td>M7 - GPH1524M41AB</td></tr> <tr><td>M8 - GPH1530M41AB</td></tr> <tr><td>M9 - GPH1536M41AB</td></tr> <tr><td>M10 - GPH1543M41AB</td></tr> <tr><td>M11 - GPH1549M41AB</td></tr> <tr><td>M12 - GPH1560M41AB</td></tr> </table>		M1 - APH1524M41AB	M2 - APH1530M41AB	M3 - APH1536M41AB	M4 - APH1543M41AB	M5 - APH1549M41AB	M6 - APH1560M41AB	M7 - GPH1524M41AB	M8 - GPH1530M41AB	M9 - GPH1536M41AB	M10 - GPH1543M41AB	M11 - GPH1549M41AB	M12 - GPH1560M41AB
M1 - APH1524M41AB																
M2 - APH1530M41AB																
M3 - APH1536M41AB																
M4 - APH1543M41AB																
M5 - APH1549M41AB																
M6 - APH1560M41AB																
M7 - GPH1524M41AB																
M8 - GPH1530M41AB																
M9 - GPH1536M41AB																
M10 - GPH1543M41AB																
M11 - GPH1549M41AB																
M12 - GPH1560M41AB																
71	20467702PDGS	LOUVERED PANEL, COND SIDE 40" (M10, M11, M12)														
71	20467702PLGS	PANEL - COND SIDE 40 W/PAINT (M4, M5, M6)														
81	20464401PDGS	LOUVERED PANEL, COND SIDE 32" (M7, M8, M9)														
81	20464401PLG	LOUVERED PANEL, COND SIDE 32" (M1, M2, M3)														
81	20464402PDGS	LOUVERED PANEL, COND SIDE 40" (M10, M11, M12)														
81	20464402PLG	LOUVERED PANEL, COND SIDE 40" (M4, M5, M6)														
91	0121G00146LG	LOUVERED PANEL 4 BANK 32.5", COMP SIDE (M1, M2, M3)														
91	0121G00146PDG	LOUVERED PANEL 4 BANK 32.5", COMP SIDE (M7, M8, M9)														
91	0121G00147LG	LOUVERED PANEL 4 BANK 40", COMP SIDE (M4, M5, M6)														
91	0121G00147PDG	LOUVERED PANEL 4 BANK 40", COMP SIDE (M10, M11, M12)														
111	0261G00000	DRAIN PIPE														
121	0260G00023PS	INSULATED ASSY, BLOWER PANEL 32.5" (M1, M2, M3, M7, M8, M9)														
121	0260G00024PS	INSULATED ASSY, BLOWER PANEL 40" (M4, M5, M6, M10, M11, M12)														
131	B10259253	AMANA LABEL (M1, M2, M3, M4, M5, M6)														
131	B10259251	GOODMAN LABEL (M7, M8, M9, M10, M11, M12)														
151	0121G00213DGS	CONTROL BOX PANEL														
161	0260G00034S	INSULATED ASSY, EVAP BLOCK-OFF 32" (M1, M2, M3, M7, M8, M9)														
161	0260G00035S	INSULATED ASSY, EVAP BLOCK-OFF 40" (M4, M5, M6, M10, M11, M12)														
171	0260G00025PS	INSULATED ASSY, BLOWER PANEL 32.5" (M1, M2, M3, M7, M8, M9)														
171	0260G00026PS	INSULATED ASSY, BLOWER PANEL 40" (M4, M5, M6, M10, M11, M12)														
181	0260G00022PS	INSULATED ASSY, FAN SHROUD														

Panels and Supports



Panels and Supports

Ref. Part No:	No:	Description:	Ref. Part No:	No:	Description:
<i>Image 1:</i>					
31	20464201PDGS	CORNER POST-COMP END 32" (M1, M2, M3, M7, M8, M9)			
31	20464202PDGS	CORNER POST-COMP END 40" (M4, M5, M6, M10, M11, M12)			
41	20464301PDGS	CORNER POST-HAIRPIN END 32" (M1, M2, M3, M7, M8, M9)			
41	20464302PDGS	CORNER POST-HAIRPIN END 40" (M4, M5, M6, M10, M11, M12)			
51	0121G00221	HEATER KIT COVER (QTY 2)			
61	0221G00014	BLOWER TRANSITION ASSY			
71	0121G00289	BASE PAN			
81	0121G00290	BASE PAN RAIL (QTY 2)			
91	0161G00003	PLASTIC DRIP PAN			
101	0121G00208	SUPPORT POST 32" (M1, M2, M3, M7, M8, M9)			
101	0121G00209	SUPPORT POST 40" (M4, M5, M6, M10, M11, M12)			
111	0260G00018PS	INSULATED ASSY, DUCT 32.5" (M1, M2, M3, M7, M8, M9)			
111	0260G00019PS	INSULATED ASSY, DUCT 40" (M4, M5, M6, M10, M11, M12)			
121	0260G00020PS	INSULATED ASSY, PARTITION PANEL 32" (M1, M2, M3, M7, M8, M9)			
121	0260G00021PS	INSULATED ASSY, PARTITION PANEL 40" (M4, M5, M6, M10, M11, M12)			
NS	0121G00158	EVAP BLOCK-OFF 32.5" (M1, M2, M3, M7, M8, M9)			
NS	0121G00159	EVAP BLOCK-OFF 40" (M4, M5, M6, M10, M11, M12)			

Expanded Model Nomenclature

- | |
|--------------------|
| M1 - APH1524M41AB |
| M2 - APH1530M41AB |
| M3 - APH1536M41AB |
| M4 - APH1543M41AB |
| M5 - APH1549M41AB |
| M6 - APH1560M41AB |
| M7 - GPH1524M41AB |
| M8 - GPH1530M41AB |
| M9 - GPH1536M41AB |
| M10 - GPH1543M41AB |
| M11 - GPH1549M41AB |
| M12 - GPH1560M41AB |

Tubing / Coil Assemblies

Image 1

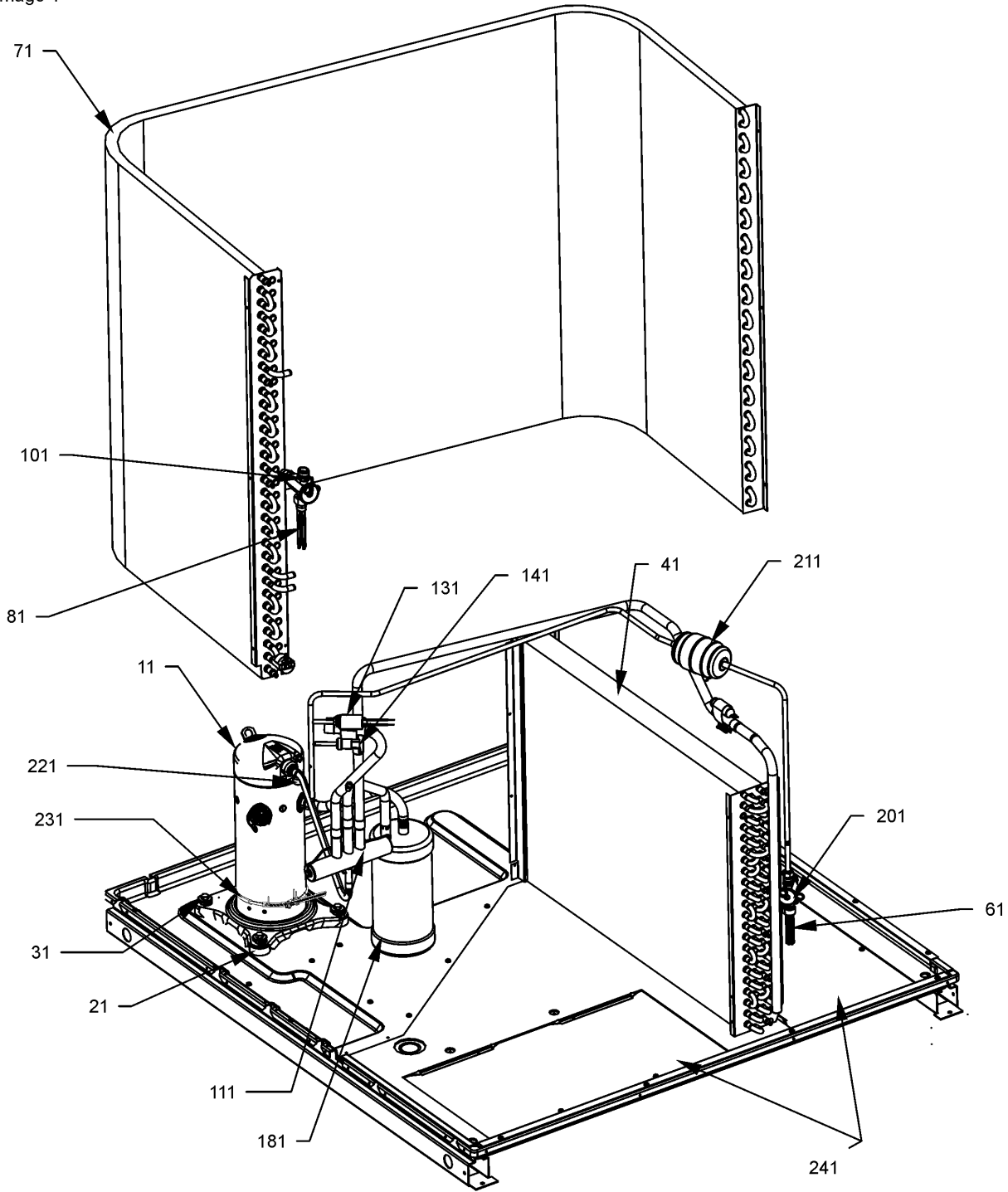
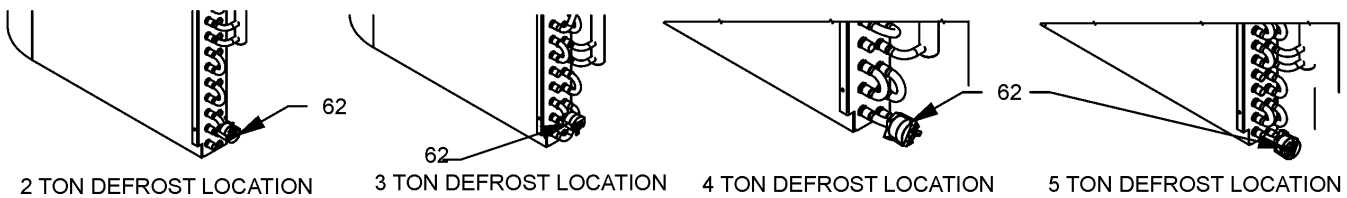


Image 2



Tubing / Coil Assemblies

Ref. Part No:	No:	Description:	Ref. Part No:	No:	Description:												
<i>Image 1:</i>			<i>Image 1:</i>														
11	ZP21K5EPFV830	COMPRESSOR 21300,208/230/60/1 (M1, M7)	NS	0159G00002	COMPRESSOR SCROLL HARNESS (M1, M2, M3, M7, M8, M9)												
11	ZP25K5EPFV830	COMPRESSOR 25200, 208/230/60/1 (M2, M8)	NS	0159R00003P	COMPRESSOR SCROLL HARNESS (M4, M10)												
11	ZP31K5EPFV830	COMPRESSOR 31100, 208/230/60/1 (M3, M9)	NS	0159G00001	COMPRESSOR SOLENOID CABLE (M5, M6, M11, M12)												
11	ZP34K5EPFV830	COMPRESSOR 34500, 208/230/60/1 (M4, M10)	NS	B1488806	COMPRESSOR SOUND BLANKET (M4, M5, M6)												
11	ZPS40K4EPFV930	COMPRESSOR 40000, 208/230/60/1/2STG (M5, M11)	NS	B1488807	COMPRESSOR SOUND BLANKET (M1, M2, M3)												
11	ZPS51K4EPFV930	COMPRESSOR 52000, 208/230/60/1/2STG (M6, M12)	<i>Image 2:</i>														
21	B1339533	COMPRESSOR GROMMET (QTY 4)	62	0130M00009P	DEFROST THERMOSTAT OPEN 60°, CLOSE 34°												
31	M0221641	TF SHOULDER SCREW (QTY 4)	Expanded Model Nomenclature														
41	0202G00110S	TUBING ASSY, EVAP COIL (M1, M2, M7, M8)	<table border="1"> <tr><td>M1 - APH1524M41AB</td></tr> <tr><td>M2 - APH1530M41AB</td></tr> <tr><td>M3 - APH1536M41AB</td></tr> <tr><td>M4 - APH1543M41AB</td></tr> <tr><td>M5 - APH1549M41AB</td></tr> <tr><td>M6 - APH1560M41AB</td></tr> <tr><td>M7 - GPH1524M41AB</td></tr> <tr><td>M8 - GPH1530M41AB</td></tr> <tr><td>M9 - GPH1536M41AB</td></tr> <tr><td>M10 - GPH1543M41AB</td></tr> <tr><td>M11 - GPH1549M41AB</td></tr> <tr><td>M12 - GPH1560M41AB</td></tr> </table>			M1 - APH1524M41AB	M2 - APH1530M41AB	M3 - APH1536M41AB	M4 - APH1543M41AB	M5 - APH1549M41AB	M6 - APH1560M41AB	M7 - GPH1524M41AB	M8 - GPH1530M41AB	M9 - GPH1536M41AB	M10 - GPH1543M41AB	M11 - GPH1549M41AB	M12 - GPH1560M41AB
M1 - APH1524M41AB																	
M2 - APH1530M41AB																	
M3 - APH1536M41AB																	
M4 - APH1543M41AB																	
M5 - APH1549M41AB																	
M6 - APH1560M41AB																	
M7 - GPH1524M41AB																	
M8 - GPH1530M41AB																	
M9 - GPH1536M41AB																	
M10 - GPH1543M41AB																	
M11 - GPH1549M41AB																	
M12 - GPH1560M41AB																	
41	0202G00111S	TUBING ASSY, EVAP COIL (M3, M9)															
41	0202G00112S	TUBING ASSY, EVAP COIL (M4, M10)															
41	0202G00321	TUBING ASSY, EVAP COIL (M5, M6, M11, M12)															
61	B2114600	FLOWRATOR [EVAP] (M1, M2, M3, M7, M8, M9)															
61	B2114800	FLOWRATOR [EVAP] (M4, M5, M6, M10, M11, M12)															
71	0201G00094S	TUBING ASSY, COND COIL (M1, M2, M7, M8)															
71	0201G00095S	TUBING ASSY, COND COIL 32" (M3, M9)															
71	0201G00096S	TUBING ASSY, COND COIL 40" (M4, M6, M10, M12)															
71	0201G00173S	TUBING ASSY, COND COIL 40" (M5, M11)															
81	0162M00055	FLOWRATOR [COND] (M4, M5, M6, M10, M11, M12)															
81	B2114400	FLOWRATOR [COND] (M1, M2, M7, M8)															
81	B2114600	FLOWRATOR [COND] (M3, M9)															
101	0151G00001	TXV VALVE [COND] (M1, M2, M7, M8)															
101	0151M00016	TXV VALVE [COND] (M5, M6, M11, M12)															
101	0151M00017	TXV VALVE [COND] (M3, M4, M9, M10)															
111	0151M00019S	REVERSING VALVE (M1, M2, M7, M8)															
111	0151M00021S	REVERSING VALVE (M3, M4, M5, M6, M9, M10, M11, M12)															
131	0130M00074	HIGH PRESSURE SWITCH															
141	0130M00075	LOW PRESSURE SWITCH															
181	B1226206	ACCUMULATOR (M1, M2, M7, M8)															
181	B1226207	ACCUMULATOR .875 (M3, M4, M5, M6, M9, M10, M11, M12)															
201	0151G00001	TXV VALVE [EVAP] (M1, M2, M7, M8)															
201	0151M00016	TXV VALVE [EVAP] (M5, M6, M11, M12)															
201	0151M00017	TXV VALVE [EVAP] (M3, M4, M9, M10)															
211	20485201	BI-FLOW FILTER DRIER															
221	0230G00005	CRANKCASE HEATER SWITCH (M3, M4, M5, M6, M9, M10, M11, M12)															
231	0230G00006	CRANKCASE HEATER (M6, M12)															
231	0163R00003S	CRANKCASE HEATER 230V 40W (M4, M5, M10, M11)															
231	0163R00002S	CRANKCASE HEATER 230V, 40W (M3, M9)															
241	0121G00148	SINGLE COVER, DOWN DISCHARGE (QTY 2)															
NS	0259G00063	COMPRESSOR HARNESS (M5, M6, M11, M12)															

Control Panel / Blower Assembly

Image 1

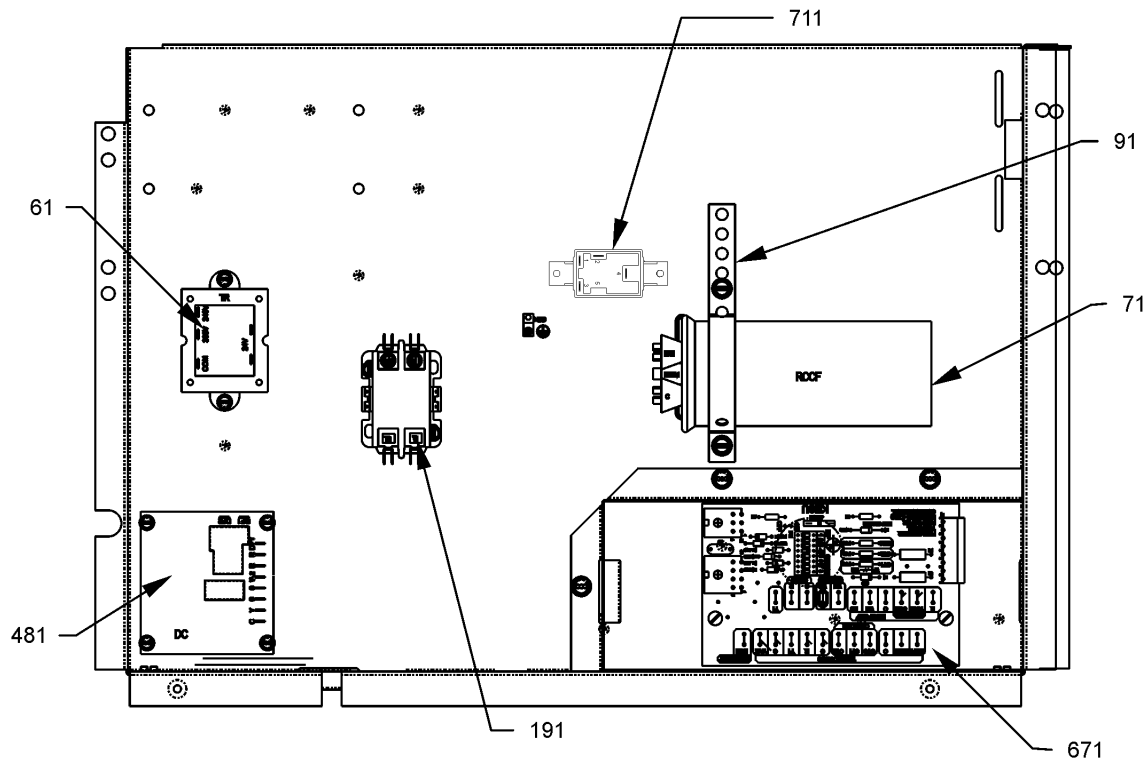
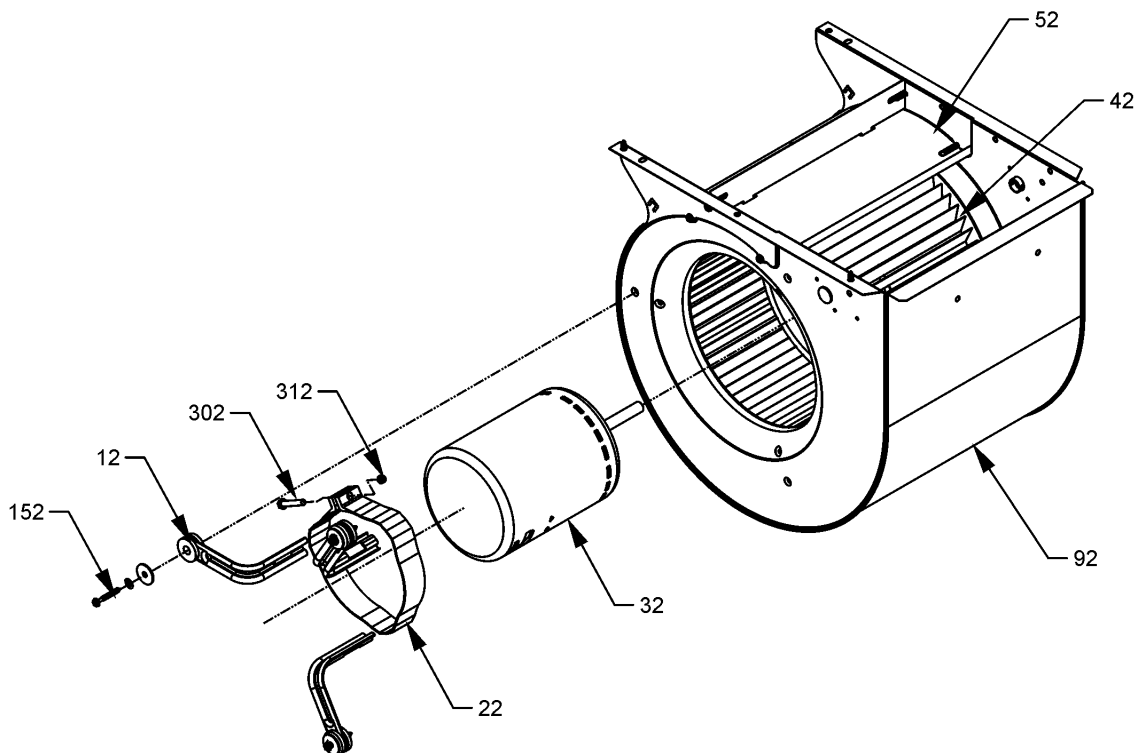


Image 2



Control Panel / Blower Assembly

Ref. Part No: No:	Description:	Ref. Part No: No:	Description:
-------------------	--------------	-------------------	--------------

Image 1:

61	B1141643	TRANSFORMER 208/230, 24V
71	CAP050400440RTS	CAPACITOR 5/40/440V (M1, M2, M7, M8)
71	CAP050450440RTS	CAPACITOR 5/45/440V (M3, M4, M5, M9, M10, M11)
71	CAP050800440RTS	CAPACITOR 5/80/440V (M6, M12)
91	20520901	CAPACITOR STRAP
191	CONT2P025024VS	CONTACTOR 25 AMP, 2P, 24V (M1, M2, M3, M7, M8, M9)
191	CONT2P030024VS	CONTACTOR 30 AMP, 2P, 24V (M4, M10)
191	CONT2P040024VS	CONTACTOR 40 AMP, 2P, 24V (M5, M6, M11, M12)
481	PCBDM133	DEFROST CONTROL BOARD
671	PCBEM102S	ECM PRIMARY BOARD (M1, M2, M3, M4, M5, M6)
711	0130M00025S	24V RELAY (M5, M6, M11, M12)
NS	0259G00065	BLOWER HARNESS (M7, M8, M9, M10)
NS	0259G00068	BLOWER HARNESS (M11, M12)
NS	0259G00070	WIRE HARNESS, ELECTRIC HEAT (M7, M8, M9, M10, M11, M12)
NS	0259G00071	WIRE HARNESS, ELECTRIC HEAT (M1, M2, M3, M4, M5, M6)
NS	B1378701	WIRE HARNESS, HIGH VOLTAGE (5-PIN ECM) (M1, M2, M3, M4, M5, M6)
NS	B1378700	WIRE HARNESS, LOW VOLTAGE (16-PIN ECM) (M1, M2, M3, M4, M5, M6)

Expanded Model Nomenclature

M1 - APH1524M41AB
M2 - APH1530M41AB
M3 - APH1536M41AB
M4 - APH1543M41AB
M5 - APH1549M41AB
M6 - APH1560M41AB
M7 - GPH1524M41AB
M8 - GPH1530M41AB
M9 - GPH1536M41AB
M10 - GPH1543M41AB
M11 - GPH1549M41AB
M12 - GPH1560M41AB

Image 2:

12	B1376857	MOTOR MOUNT ARM (QTY 3)
22	0121M00038	MOTOR MOUNT BAND
32	0231K00067	BLOWER MOTOR 1 HP PROGRAMMED ECM (M6)
32	0131M00202	BLOWER MOTOR 1 HP PROGRAMMED SELECTECH (M12)
32	0231K00065	BLOWER MOTOR 1/2 HP PROGRAMMED ECM (M2, M3)
32	0231K00070	BLOWER MOTOR 1/2 HP PROGRAMMED ECM (M1)
32	0131M00200	BLOWER MOTOR 1/2 HP PROGRAMMED SELECTECH (M9)
32	0131M00201	BLOWER MOTOR 1/2 HP PROGRAMMED SELECTECH (M7)
32	0131M00204	BLOWER MOTOR 1/2 HP PROGRAMMED SELECTECH (M8)
32	0231K00066	BLOWER MOTOR 3/4 HP PROGRAMMED ECM (M4, M5)
32	0131M00212	BLOWER MOTOR 3/4 HP PROGRAMMED SELECTECH (M11)
32	0131M00216	BLOWER MOTOR 3/4 HP PROGRAMMED SELECTECH (M10)
42	D6723303S	BLOWER WHEEL
52	764742	BLOWER BLOCK-OFF
92	0271G00024S	BLOWER HOUSING ASSY 10 X 9
152	M0250565	TC SCREW 1.25" (QTY 5)
302	B1393323	MACHINE SCREW HWH 1/4-20 X 1-1/2 BZ
312	B1393800	LOCKNUT, NYLON, INSERT 1/4, 20

THIS PAGE INTENTIONALLY LEFT BLANK